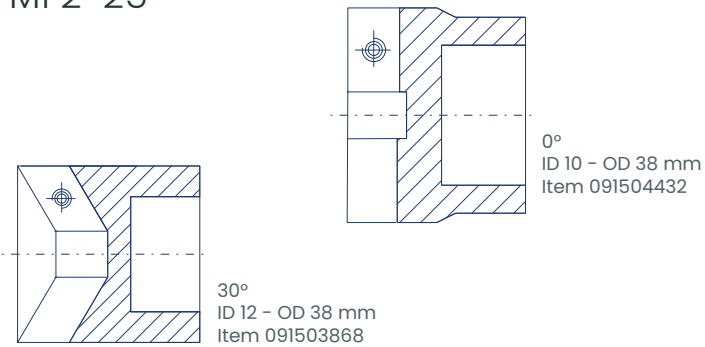




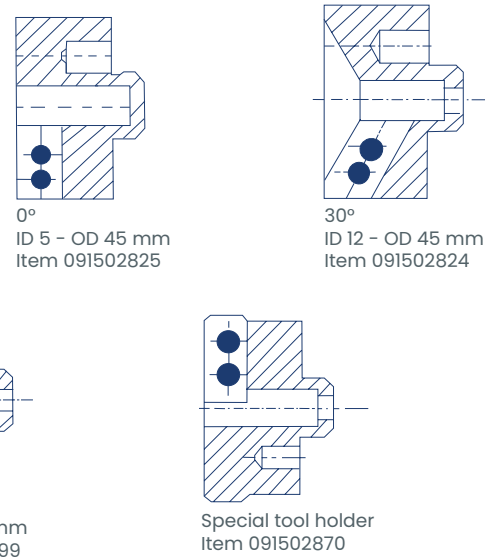
Tool holder

All tool holders are made of high-quality tool steel. The proven design ensures a perfect working process. Our holders are available in rigid or adjustable versions. By using different tools on one holder, several bevels can be made during one working step. We can also manufacture special tool holders on request.

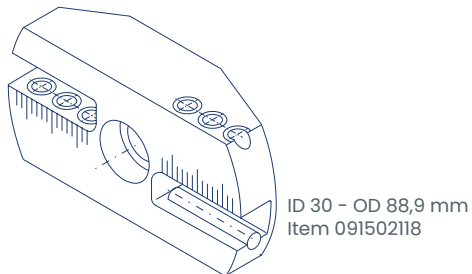
MF2-25



MF3-R



MF4-R



MF4

