

## MF3iw-s

Working range ID-OD: 16 - 50 mm

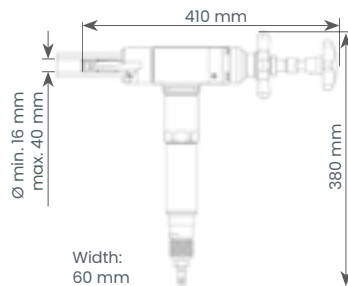
The mobile pipe beveling machine MF3iw-s is used for processing and weld seam, edge preparation of pipes, nozzles, headers and heat exchangers.



### Optional accessories



Tooling (from p. 32)



### Technical data

Clamping range ID-ID	16 - 40 mm	0,62 - 1,57"
Working range ID-OD	16 - 50 mm	0,62 - 2,0"
Max. wall-thickness	10 mm	0,39"
Feed	20 mm	0,79"
Weight with pneumatic motor	5,8 kg	12,8 lb
Weight with electric motor	7,0 kg	15,4 lb
Weld prep	facing, V & J-prep, counter boring	
Materials	steel, stainless steel, duplex, high-alloyed	
Tooling	tool bits, TiN inserts, custom bits	
Machine body	lightweight housing	



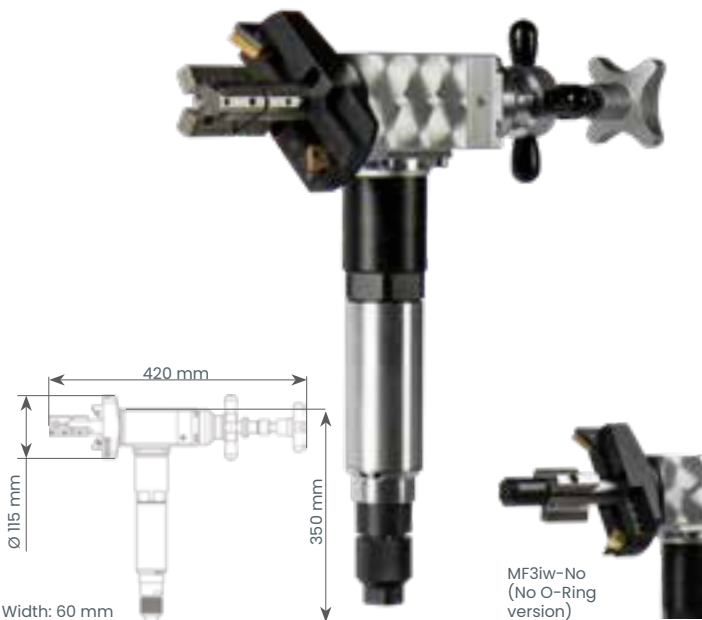
### Available drives

Pneumatic motor		
Power	850 W	1,2 HP
Air pressure	6 bar	87 psi
Air consumption	0,96 m³/min	33,9 cfm
Air hose connection	1/4"	
Features	speed control	
Electric motor		
Power consumption	1.500 W (110V/230V)	1,1 HP
Features	restart and overload protection, speed adjustment, torque control	

## MF3iw

Working range ID-OD: 25 - 114,3 mm

The portable MF3iw pipe beveling machine is used for weld seam preparation when welding thick-walled pipes, boiler tubes, nozzles and headers. Due to its low weight, it can be operated by only one person and is ideally suited for mobile applications.



### Technical data

Clamping range ID-ID	25 - 96 mm	0,43 - 0,67"
Working range ID-OD	25 - 114,3 mm	0,98 - 4,5"
Max. Wall thickness	15 mm	0,6"
Feed	20 mm	0,79"
Weight with pneumatic motor	5,8 kg	12,8 lb
Weight with electric motor	7,0 kg	15,4 lb
Weld prep	facing, V & J-prep, counter boring	
Materials	steel, stainless steel, duplex, high-alloyed	
Tooling	tool bits, TiN inserts, custom bits	
Machine body	lightweight housing	

### Optional accessories



Tooling (from p. 32)

Special tool for repairing heat exchangers

Lever feed for fast feed

XL extension for ID 16 - 25 mm (only for lever feed)

### Available drives

Pneumatic motor		
Power	850 W	1,2 HP
Air pressure	6 bar	87 psi
Air consumption	0,96 m³/min	33,9 cfm
Air hose connection	1/4"	
Features	speed control	
Electric motor		
Power consumption	1.500 W (110V/230V)	1,1 HP
Features	restart and overload protection, speed adjustment, torque control	